



Kitchen - Tara Classic

Single-lever mixer for rinsing/Profi spray - polished chrome

Article number: 33 826 888-00



- 235 mm projection
- pivotable spout 360°
- air-enriched flow
- height of mixer 400 mm
- height up to aerator 230 mm
- single-lever mixer hole diameter 35mm
- max. flow 7 l/min at 3 bar flow pressure
- lead-free
- Fittings group as per DIN 4109: 1
- Single-lever mixer for combining with rinsing/Profi spray only



polished chrome

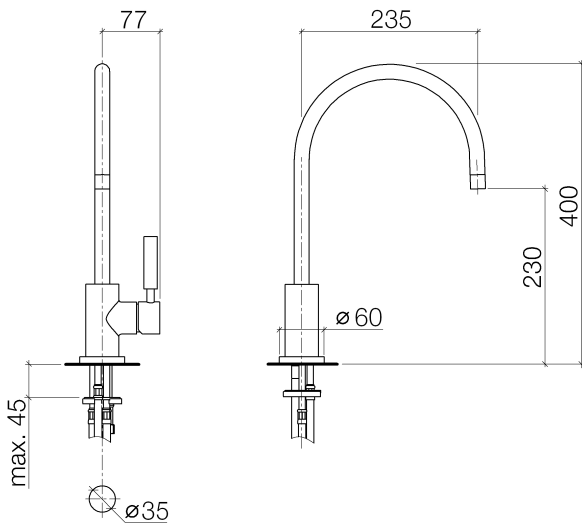
Miscellaneous items are required for this article.

Discontinued articles/items available to order until 31.12.9999



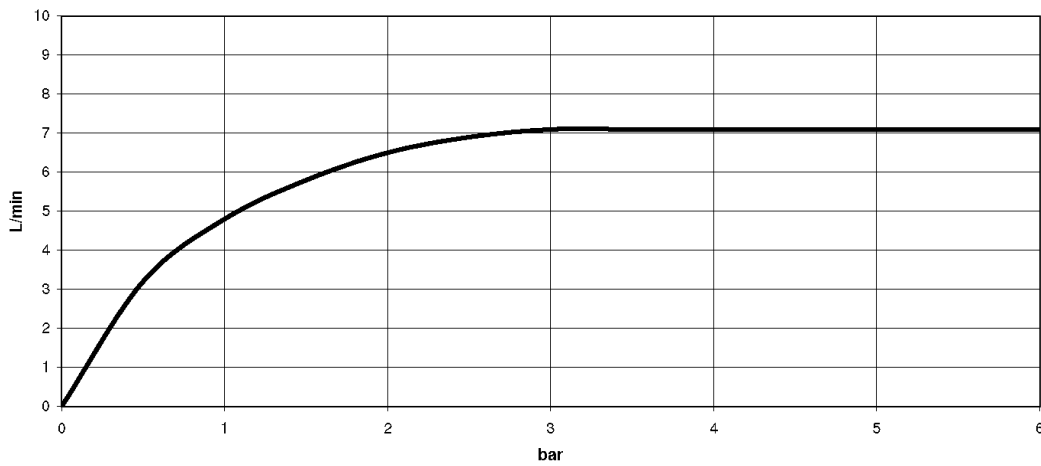
Kitchen - Tara Classic
Single-lever mixer for rinsing/Profi spray - polished chrome
Article number: 33 826 888-00

Dimensional drawing



All details in mm / inch = mm x 0.0394

Flow rate chart





Kitchen - Tara Classic
Single-lever mixer for rinsing/Profi spray - polished chrome
Article number: 33 826 888-00

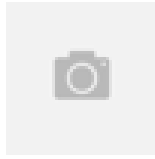
Other finish variants



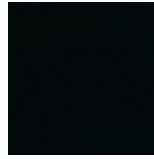
platinum matt
33 826 888-06



platinum
33 826 888-08



brushed Durabrass
33 826 888-28



matt black
33 826 888-33



Dark Platinum matt
33 826 888-99

Other finishes on request (x-tra Service)



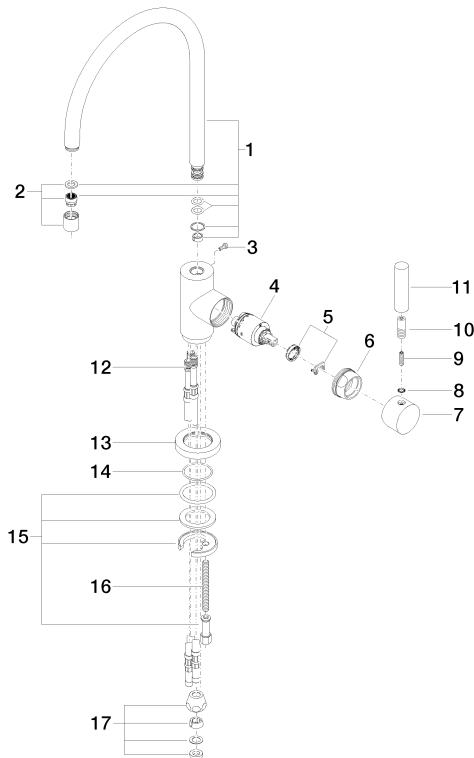
27 789 970-00
Profi spray set - polished chrome



27 721 970-00
Rinsing spray set - polished chrome

Kitchen - Tara Classic
 Single-lever mixer for rinsing/Profi spray - polished chrome
 Article number: 33 826 888-00

Spare parts list



No.	Item Number	Name	Quantity used
1	90 28 22 049 02-00	spout	1
2	90 23 01 028 03-00	aerator	1
3	09 30 30 054 90	screw	1
4	90 15 05 063 00 90	cartridge	1
5	04 28 10 148 00 90	accessories	1
6	09 24 04 107-00	nut	1
7	90 20 88 040 00-00	handle	1
8	09 30 11 032 90	disc	1
9	09 31 11 010 90	pin	1
10	09 24 04 048-00	nipple	1
11	11 170 880-00	handle	1
12	04 30 04 064 00 90	hose	3
13	09 28 10 055-00	rosette	1
14	09 14 10 034 90	seal	1
15	04 30 11 038 00 90	fixing set	1
16	09 31 11 011 90	pin	1
17	04 23 30 040 00-00	threaded connector	1